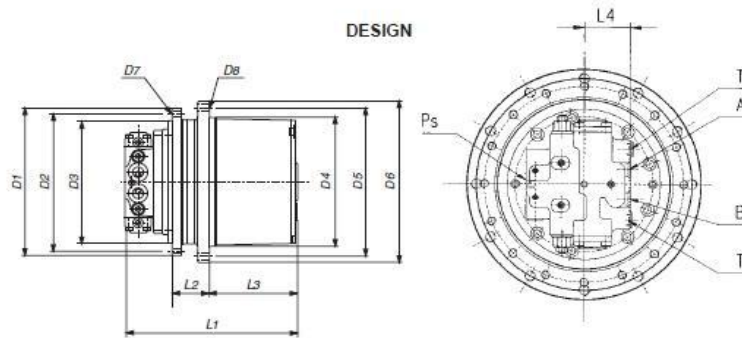


POWERTRAC TRAVEL MOTOR SPECIFICATIONS

Type	Output torque kgf/m		Motor displacement cc/rev		Motor output speed rpm		Reduction output speed rpm		set input flow l/min	Set pressure kgf/cm ²	Ratios i	Weight Kgs	Brand	Remarks
	1 Speed	2 Speed	1 Speed	2 Speed	1 Speed	2 Speed	1 Speed	2 Speed						
MAG12V-120E													Kayaba	1.5Ton
PHV-1B													Nachi	1.6
700C2K													Bonfiglioli	1.5
PHV-2B													Nachi	2
700-2C2K													Bonfiglioli	2.5
MAG18V-230F(W/A.C)													Kayaba	2.5
MAG18V-230F(W/O.R.V)													Kayaba	2.5
JMF-16-VBC													Eaton	1.5
701-C2K													Bonfiglioli	3
MAG18V-320E(W/A.C)													Kayaba	3.5
MAG18V-320E(W/O.R.V)													Kayaba	3.5
PHV-3B													Nachi	2.5
JMV-23-VBC	377	201	21.00	11.20	1429	2679	27	50	30	210	53.7	38	MOTROL	3.5
702C2K	466	237	26.30	13.40	1141	2239	22	42	30	210	53	35	Bonfiglioli	4
GM04VA	384	-	21.40	-	1402	-	26	-	30	210	53.7	43	Nabtesco	2.5~4.5
MAG-26V-400(W/A.C)	489	-	27.60	-	1087	-	21	-	30	210	53	42	Kayaba	4.5
MAG-26V-400(W/O R.V.)	489	-	27.60	-	1087	-	21	-	30	210	53	42	Kayaba	4.5
GM06VA			27.50										Nabtesco	3-5.5
PHV-4B													Nachi	
DM05VD	417	212	27.50	14.00	1091	2143	24	47	30	210	45.382	57	TME	4~4.5
GFT 0007 T2 4000/2	586	-	28.00	-	1071	-	17	-	30	210	62.6	70	Rexroth	-
GFT 0007 T2 5000	586	-	28.00	-	1071	-	17	-	30	210	62.6	70	Rexroth	-
704c2k	519	292	33.80	19.00	888	1579	19	34	30	210	46	60	Bonfiglioli	5.5
MAG-33V-550(W/A.C)	666	-	33.80	-	888	-	15	-	30	210	58.943	60	Kayaba	6
MAG-33V-550E(W/O R.V.)	666	-	33.80	-	888	-	15	-	30	210	58.943	60	Kayaba	6
JMV-40-VBC													Eaton	6
TM07VC													MOTROL	6
JMV-53-VBC													Eaton	8
MAG-44VP-800(W/R.V)													Kayaba	8
TM09VD													MOTROL	8



Type	Dimensions															Brand	
	D1	D2	D3	D4	D5	D6	D7	D8	L1	L2	L3	L4	A-B	T	Ps		
MAG-12V-120E	179	157	140	140	157	177	8-M10	8-M10	205	95	45	50				Kayaba	
PHV-1B	175	155	140	140	155	175	8-M10	9-M10	190	45	77					Nachi	o 신규
700C2K	175	155	140	140	155	175	8-M10	8-M10	202	45	93	40	1/4"	1/4"	1/4"	Bonfiglioli	
PHV-2B	190	170	150	160	180	200	8-M10	9-M10	222	40	99					Nachi	
700-2C2K	190	170	150	160	180	200	8-M10	8-M10	223	40	108	39	3/8"	1/4"	1/4"	Bonfiglioli	
MAG18V-230F(W/A.C)	190	170	150	160	180	200	8-M10	9-M10	250	40	104					Kayaba	
MAG18V-230F(W/O.R.V))	190	170	150	160	180	200	8-M10	9-M10	219	40	104					Kayaba	
JMF-16-VBC	190	170	150	160	180	200	8-M10	9-M10	214	40	99					Eaton	o 신규
701-C2K	215	192	165	190	215	240	9-M12	9-M12	300	50	125	45	1/2"	1/4"	1/4"	Bonfiglioli	
MAG18V-320E(W/A.C)	215	192	165	190	215	238	9-M12	9-M12	265	50	115					Kayaba	o
MAG18V-320E(W/O.R.V))	215	192	165	190	215	238	9-M12	9-M12	235	50	115					Kayaba	
PHV-3B	215	192	165	190	212	235	9-M12	9-M12	260	50	119					Nachi	o 신규
JMV-23-VBC	215	192	165	204	232	255	9-M12	9--M12	257.3	72	119	51	1/2"	1/4"	1/4"	Eaton	o 신규
702C2K	215	192	165	204	232	255	9-M12xP1.75	9-M12xP1.75	285	70	115	45	1/2"	1/4"	1/4"	Bonfiglioli	
GM04VA	215	192	165	204	232	255	10-M12	10-M12	267.5	70	112.5	-	1/2"	1/4"	1/4"	Nabtesco	
MAG-26V-400(W/A.C)	215	192	165	210	232	255	9-M12	9-M12xP1.75	289	70	120	45	1/2"	1/4"	1/4"	Kayaba	o
MAG-26V-400(W/O R.V.)	215	192	165	210	232	255	9-M12	9-M12xP1.75	259	70	120	45	1/2"	1/4"	1/4"	Kayaba	
GM06VA	246	220	180	230	262	288	9-M14	9-M14	272.2	75.5						Nabtesco	o
PHV-4B	246	220	180	230	262	288	9-M14	12-M14	296	75.5	139.5					Nachi	
DM05VD	264	240	200	230	262	290	12-M14xP2	12-M14xP2	288	68	128	62	3/4"	9/16"	9/16"	MOTROL	O
GFT 0007 T2 4000/2	264	240	200	230	262	286	12-M14	12-M14	304	68	147	-	-	-	-	Rexroth	
GFT 0007 T2 5000	264	240	200	230	262	286	12-M14	12-M14	319	68	147	-	-	-	-	Rexroth	
704C2K	264	240	200	230	262	286	9-M14xP2	9-M14xP2	345	68	167	46	1/2"	3/8"	1/4"	Bonfiglioli	
MAG-33V-550E(W/A.C)	264	240	200	230	262	286	9-M14	9-M14	298	68	128	46	1/2"	3/8"	1/4"	Kayaba	
MAG-33V-550E(W/O R.V.)	264	240	200	230	262	286	9-M14	9-M14	268	68	128	46	1/2"	3/8"	1/4"	Kayaba	
JMV-40-VBC		244			282		12-M14	12-M14	342	68	155					Eaton	o
TM07VC	268	244	210	250	282	306	12-M14	12-M14	345	68	124					MOTROL	o
JMV-53-VBC		250			300		12-M16	12-M16	344	80	147					Eaton	o
MAG-44VP-800(W/R.V)	284	250	210	265	300		12-M14	12-M14	354	80	145					Kayaba	o
TM09VD	280	250	210	265	300	326	12-M16	12-M14	340	80	126					MOTROL	o